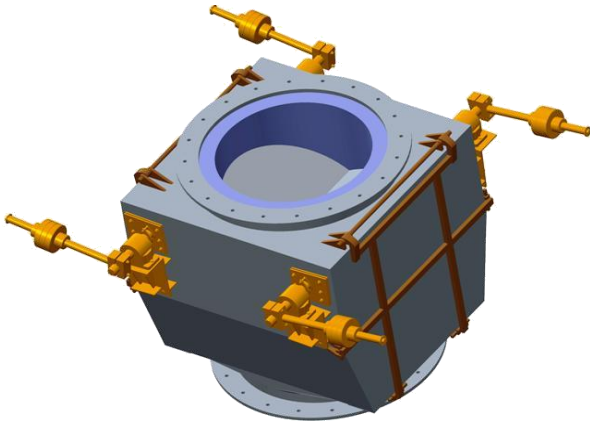




BQB INFRA TECHNORIUM PVT. LTD.

Simple Fabrication Engineered Products

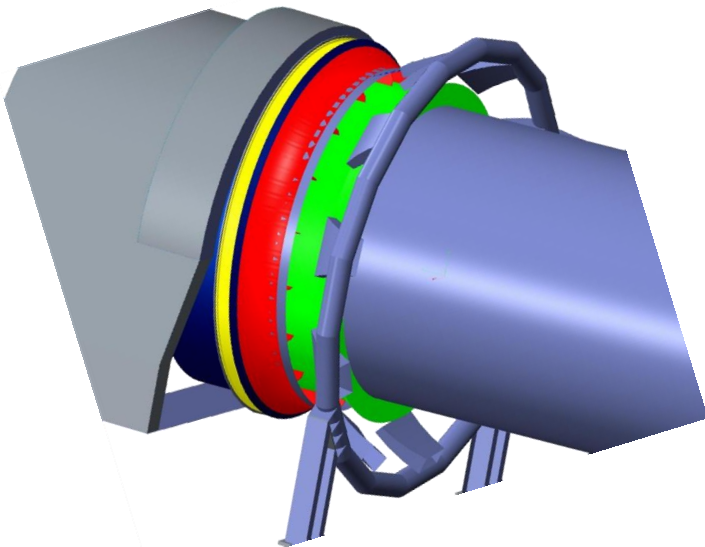
❖ Pendulum Flap Valve (Single/Double):



Features:

- ❖ 99% airtight Sealing.
- ❖ Easy Installation, even in existing meal pipe.
- ❖ Easy replacement of telescopic pipe and flap valve.

❖ Kiln Seal:



Features:

- ❖ Minimize the false air intake into the system.
- ❖ Seal designed with advanced cooling system for longer life.



BQB INFRA TECHNORIUM PVT. LTD.

❖ Shim plate:



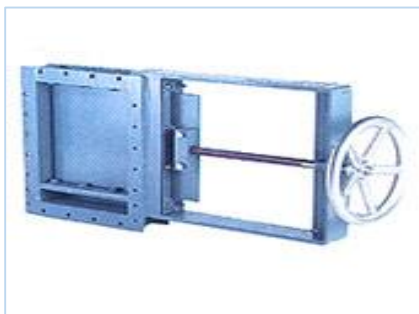
Features:

- ❖ Used for Kiln alignment
- ❖ Available in various dimensions
- ❖ Percentage of error is $\pm 0.001\%$

❖ Airslide, Material Distribution Box and Diverters:



❖ Manual, Penumatic and Motorized gate:



Design, Engineering & Manufacturing by

BQB Infra Technorium Pvt. Ltd.

MD-12, Eldeco Mansions, Sohna Road,
Opposite Omaxe Mall, Gurgaon
Haryana-122001, INDIA
Contacts: (Office): +91 124 4292892,
E-mail: project@b3infra.com, projects@b3infra.com